



# WLAN Antenna

**MODEL: EEH-201**



©2008 San Jose Technology, Inc. All specifications subject to change without notice.



The **EEH-201** is the WLAN antenna that is a low profile design antenna designed for the applications under the 2.4G & 5GMHz coverage.

## Features:

1. Low profile structure design
2. Permanent mounting
3. IPX7 fully waterproof
4. Support 2.4 & 5G

## Applications:

1. Data communication & transforming
2. Wireless monitoring

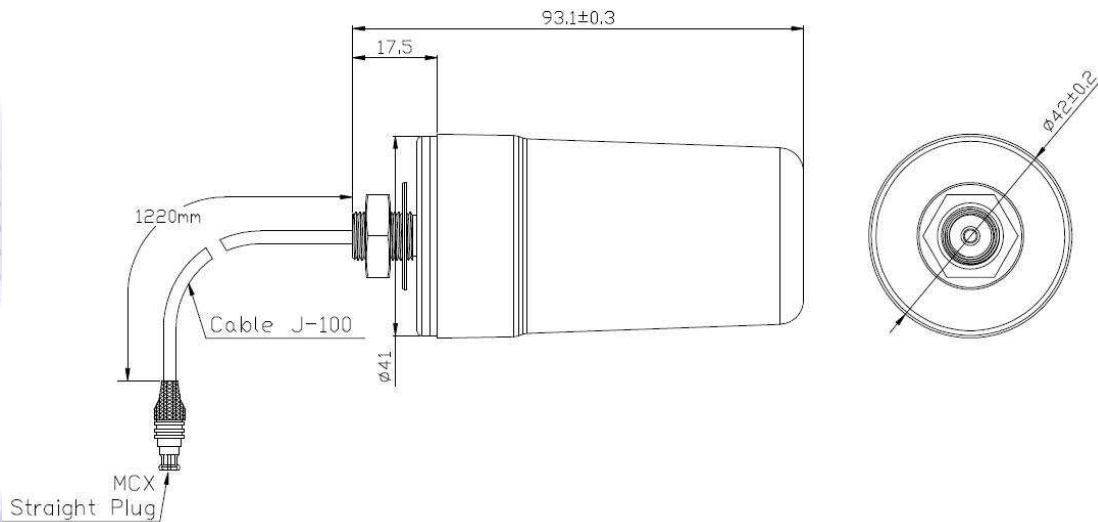
**Specification:**

Category	Antenna
Frequency	2400~2485MHz; 5150~5850MHz
Gain	4.1dBi peak gain under a 0.7 meter cable
V.S.W.R	< 2.0
Band Width	85MHz at 2400~2485MHz; 700Hz at 5150~5850MHz
Impedance	50 Ohm
Cable/Connector	H100 low cable & Standard RF Connectors
Polarization	Linear
Power Handling Capacity	-
Dimension	42mm(Dia.) x 75.6mm(H)
Operation Temperature	-40°C to +80°C
Storage Temperature	-40°C to +85°C

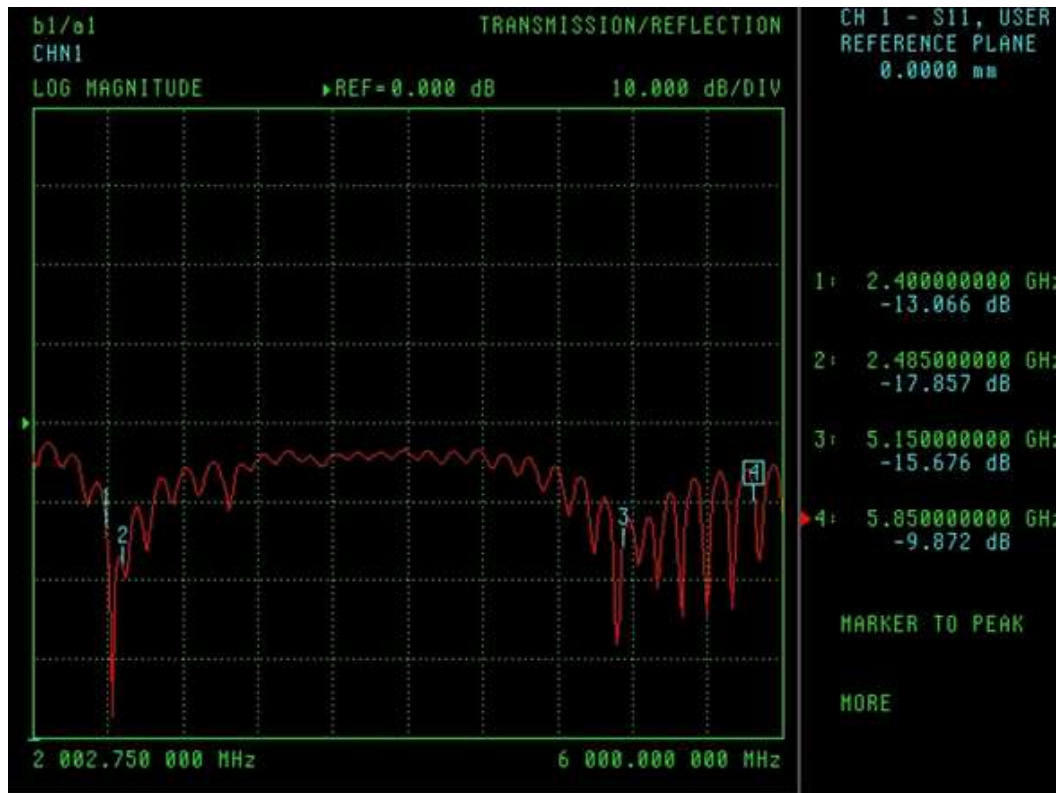
\* This specification is subject to change without prior notice

©2008 San Jose Technology, Inc.  
All specifications subject to change without notice.

**Antenna Dimension**



### Return Loss



©2008 San Jose Technology, Inc.  
All specifications subject to change without notice.

### VSWR

